

X820S

A Quad-rotor Drone for Industry Application



- Carbon fiber material
- 940mm Diagonal wheelbase
- Max Flight Time: 45mins
- Max Speed: 25m/s
- Max Transmission Distance: 3-10Km
- Max Flight Height: 1500m
- PTZ Accuracy: $\pm 0.01^\circ$
- Satellite Positioning Systems: GPS / Beidou / GLONASS

System Overview

This product is a quadcopter drone which includes the aircraft, payload, remote control. It's designed for public security, transportation, firefighting, border defense, agricultural and forestry, and energy industries. It provides a complete aerial video surveillance solution with long transmission distance, high hovering accuracy, and 30x/40x optical zoom capabilities.

Functions

Intelligent Mode

The drone supports convenient operation with multiple intelligent modes, including flight route, waypoint flight, circle (points of interest), and direction lock mode. The drone can take off automatically and enable intelligent mode, moving according to the pre-set route / waypoints and points of interest. When the mission is finished, the drone will return to base and land automatically.

Security Mechanism

There are a series of security mechanisms which ensure safe and reliable drone operation. If the drone runs out of battery or moves out of the control range, it will signal an alarm and return to base automatically, triggering landing mode. E-Fence functionality makes setting flight boundaries easy, preventing the drone from flying into restricted areas.

Quick Assembly and Disassembly

All parts of the drone, including the battery, payload, propellers, antenna, and aircraft arms can be quickly assembled and disassembled, ensuring immediate mission readiness as well as quick extraction.

A variety option of payload

The drone supports to carry multiple payloads , such as visible light PTZ camera(2MP,6MP,4K), IR thermal PTZ camera, loudspeaker, casting device, which is suitable for critical surveillance tasks such as power line inspection, forest fire detection, public event management, bridge security, and police detection.

Accurate Positioning

Three satellite positioning systems used by the drone - GPS, Beidou, and GLONASS - ensure high accuracy positioning with $\pm 1.5m$ horizontal and $\pm 0.5m$ vertical accuracy. These three positioning systems also ensure near complete coverage of the global market.

Technical Specification(Aircraft)**Aircraft**

Diagonal Wheelbase	940mm
Dimensions	717(mm) x 775(mm) x 520(mm)
Package Dimensions	600(mm) x 430(mm) x 720(mm)
Satellite Positioning Systems	GPS/Beidou/GLONASS
Net Weight	3.5kg(7.71lb)
Max. Takeoff Weight	10kg(22.05lb)

Flight Parameter

Flight Time	45mins@No Payload, 33mins@2MP30X
Hovering Power	800W
Hovering Accuracy	Vertical: ±0.5m , Horizontal: ±1.5m(<Lev.3 wind)
Max. Speed	25m/s
Max. Flight Height	1500m(4921.3ft)
Max. Takeoff Altitude	5000m(16404.2ft)
Max. Ascent Speed	8m/s
Max. Descent Speed	2.5m/s
Max. Tilt Angle	20°
Wind Resistance level	6
Max. Angular Velocity	100°/s
Operating Temperature	-20°C ~ 60°C (-4°F ~ 140°F)

Power Battery

Capacity	22000mAh
Battery Type	LiPo
Net Weight	2.9kg(6.39lb)
Operating Temperature	-20°C ~ 60°C(-4°F ~ 140°F)
Storage Temperature	-30°C ~ 65°C(-22°F ~ 149°F)

Remote Controller

4G LET	Support
Protocol	Support Onvif, SIP, RTSP and Dahua private protocol
Port	Audio In, Micro SD Card Slot
VPN	Support
Max Transmission Distance	3-10Km
Screen	7" touch screen

Battery	2S LiPo, 7800mAh
Working Time	5hours
Operating Temperature	-20°C ~ 60°C(-4°F ~ 140°F)
Storage Temperature	-30°C ~ 65°C(-22°F ~ 149°F)

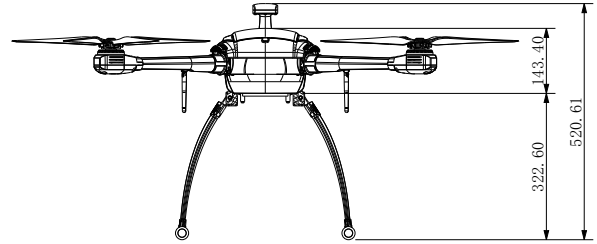
Accessories

Dimensions (mm)

Included:



Remote Controller



Optional:



2MP PTZ Camera
(Optical Zoom: 40X)



4K PTZ Camera



Thermal PTZ Camera



2MP PTZ Camera
(Optical Zoom: 30X)



Thermal Hybrid
PTZ Camera



Live Broadcasting
PTZ Camera



Live Throwing
PTZ Camera



Live Throw Broadcasting
PTZ Camera



MAC Address Collection
PTZ Camera



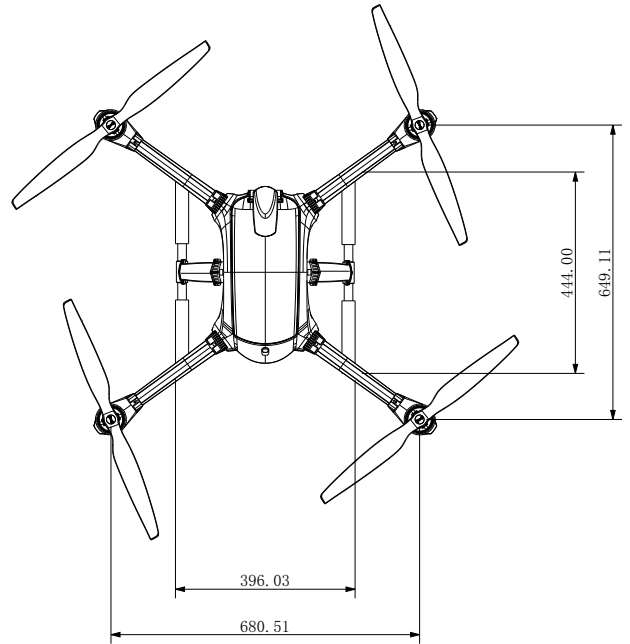
Live Lighting PTZ Camera



Gas Detection Device



Ground Station



4G Module for GS