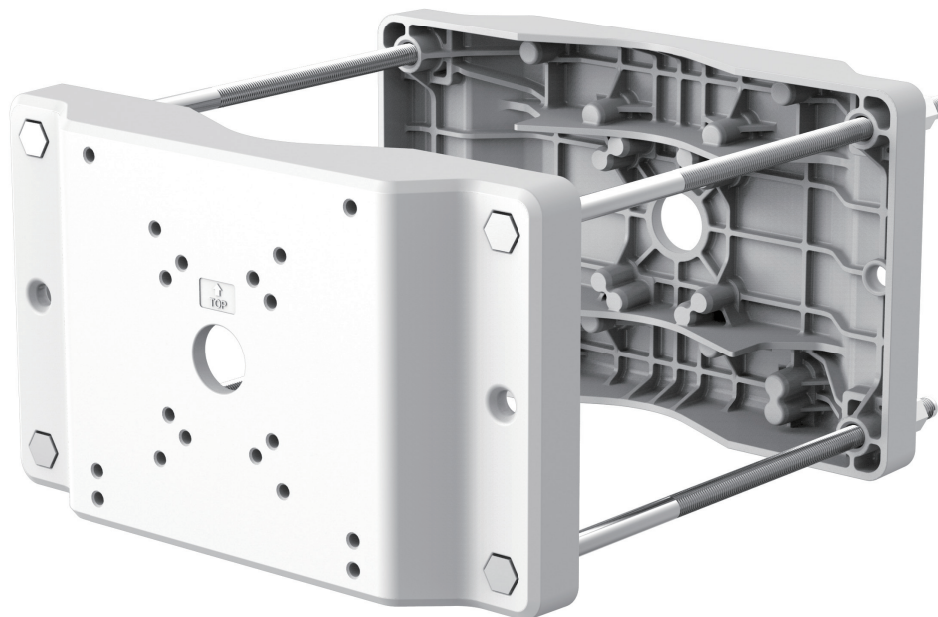


# DH-PFA153

Heavy-duty Pole Mount Bracket



## Features

- Material: aluminium & stainless
- High load bearing capacity
- Aesthetic design, double-sided installation
- High compatibility with speed domes , PTZ, outdoor surveillance box, etc.

## Technical Specification

**Model** DH-PFA153

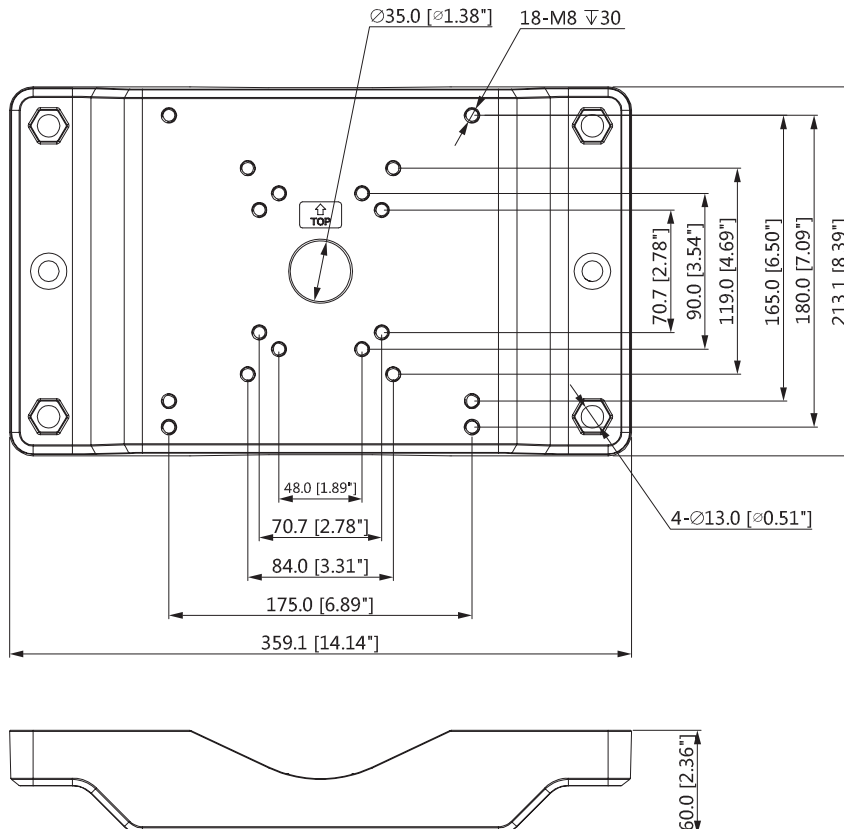
### General

Material	Aluminum & stainless
Dimension (WxHxD)	359.1 mm × 60.0 mm × 213.1 mm (14.14" × 2.36" × 8.39") (L × W × H)
Weight	5kg (11.02lb)
Load Bearing	35kg (77.16lb)
Mast Diameter	Φ150 mm–300 mm (Φ5.91"–11.81")
Color	White
Operating Temperature	−40 °C to +60 °C (−40 °F to +140 °F)
Humidity	<90% (RH)
Installation	Pole mount
Applicable Model	Please see "Accessory Selector" on <a href="http://www.dahuasecurity.com">www.dahuasecurity.com</a>

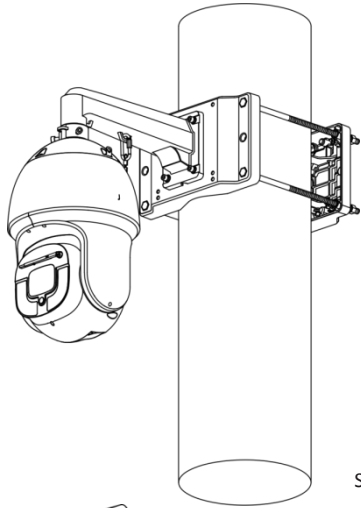
## Ordering Information

Type	Part Number	Description
Camera Mount Series	DH-PFA153	Heavy-duty pole mount bracket
	DH-PFA153A	Corrosion-proof heavy-duty pole mount bracket

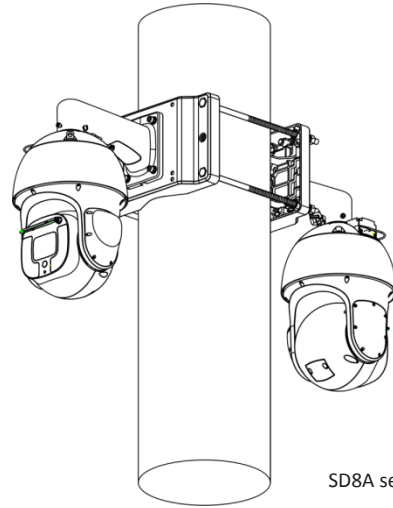
## Dimension(mm/inch)



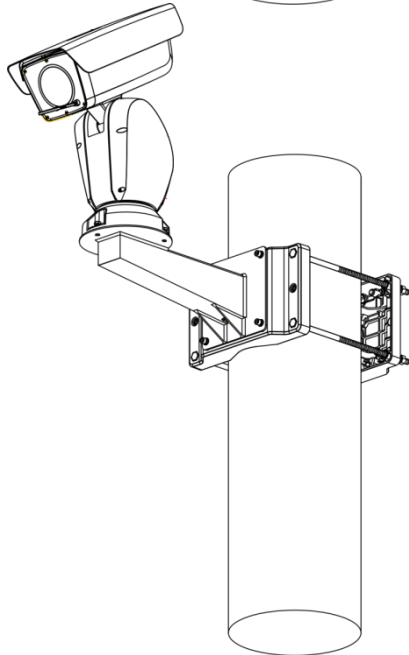
## Application



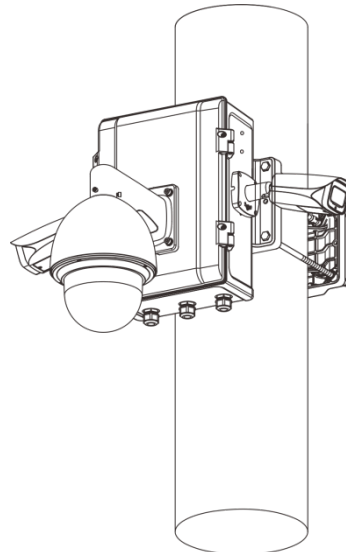
SD10 series PTZ camera



SD8A series PTZ camera



Hybrid pan & tilt camera



outdoor surveillance box

## Package Information

- Pole mount bracket body \*2
- M12x360 bolt \*4
- M8x35 screw \*4
- Washer sleeve \*4
- Spring washer \*4
- ST3x8 screw \*2
- M12 nut \*8
- Cable tie \*1
- Anti-slide sleeve\*1
- S6.0 wrench \*1
- User manual \*1