

# DH-SD42215-HC-LA

## 2MP 15x Starlight HDCVI PTZ Camera



- 1/2.8" 2Megapixel STARVIS™ CMOS
- Powerful 15x optical zoom
- Starlight technology
- 120 dB true WDR, 3D DNR
- Max. 25/30 fps@1080P, 25/30/50/60 fps@720P
- IK10
- IP66



Featuring with powerful optical zoom and accurate pan/tilt/zoom performance, the SD42 series PTZ camera can provide large monitoring range and great detail. The camera delivers 1080P resolution at 25/30 fps, with 15x optical zoom, and has very excellent low light performance due to the latest starlight technology. SD42 series PTZ camera is equipped with smooth control, high quality image and good protection, which makes it meet small and medium-sized video surveillance applications.

### Functions

#### Simplicity

HDCVI technology inherits the born feature of simplicity from traditional analog surveillance system, making itself a best choice for investment protection. HDCVI system can seamlessly upgrade the traditional analog system without replacing existing coaxial cabling. The plug and play approach enables full HD video surveillance without the hassle of configuring network.

#### Starlight Technology

For challenging low-light applications, Dahua's Starlight Ultra-low Light Technology offers best-in-class light sensitivity, capturing color details in low light down to 0.005 Lux. The camera uses a set of optical features to balance light throughout the scene, resulting in clear images in dark environments.

#### PFA Technology

PFA technology has innovatively introduced new methods of judgment to ensure the accuracy and predictability of the direction of subject distance adjustment. The result is a set of advanced focusing algorithms. PFA ensures clarity of the image throughout the process of zooming and shortens focus time. The realization of PFA technology substantially improves user experience and increases product value.

#### Environmental

The camera is designed for extreme temperature environments. Subjected and certified to rigorous dust and water immersion tests, the IP66 rating makes it suitable for demanding outdoor applications.

#### Wide Dynamic Range

The camera achieves vivid images, even in the most intense contrast lighting conditions, using industry-leading wide dynamic range (WDR) technology. For applications with both bright and low lighting conditions that change quickly, True WDR (120 dB) optimizes both the bright and dark areas of a scene at the same time to provide usable video.

#### Protection

This camera suits even the harsh conditions for outdoor applications. Its 6KV lightning rating provides protection against the camera and its structure from the effects of lightning.

### Technical Specification

#### Camera

Image Sensor	1/2.8" STARVIS™ CMOS
Pixel	2MP
Max. Resolution	1920 (H) x 1080 (V)
ROM	16 MB
RAM	256 MB
Electronic Shutter Speed	1/3 s–1/100000 s
Scanning System	Progressive
Min. Illumination	Color: 0.005 Lux@F1.6 B/W: 0.0005 Lux@F1.6

#### Lens

Focal Length	5 mm–75 mm			
Max. Aperture	F1.6–F2.8			
Field of View	H: 58.9–5.1; V: 34.1–2.9; D: 66.6–5.8			
Optical Zoom	15x			
Focus Control	Auto/Semi-Auto/Manual			
Close Focus Distance	1 m–1.5 m (3.28 ft–4.92 ft)			
Iris Control	Auto/Manual			
DORI Distance	Detect	Observe	Recognize	Identify
	1034 m (3392.39 ft)	409 m (1341.86 ft)	205 m (672.57 ft)	103 m (337.93 ft)

#### PTZ

Pan/Tilt Range	Pan:0.1°–300°/s; Tilt:0.1°–120°/s
Manual Control Speed	Pan: 300°/s; Tilt: 200°/s
Preset Speed	Pan: 240°/s; Tilt: 200°/s
Presets	300
Tour	8 (up to 32 presets per tour)
Pattern	5
Scan	5
Speed Adjustment	Support
Power-off Memory	Support
Idle Motion	Preset/Tour/Pattern/Scanning
Protocol	DH-SD Pelco-P/D (auto recognition)

#### Video

Resolution	1080P (1920 × 1080); 720P (1280 × 720); D1 (704 × 576/704 × 480)
Frame Rate	1080P (25/30 fps); 720P (25/30/50/60 fps)
Day/Night	Support
BLC	Support
WDR	120 dB

HLC	Support
White Balance	Auto/Indoor/Outdoor/Tracking/Manual/Sodium lamp/ Natural light/Street lamp
Gain Control	Auto/Manual
Noise Reduction	2D/3D
Motion Detection	Support
Region of Interest (RoI)	Support
Image Stabilization	Electronic
Defog	Electronic
Digital Zoom	16x
Flip	0°/180°
Privacy Masking	Up to 24 areas

#### Audio

Compression	G.711a; G.711Mu
-------------	-----------------

#### Function

CVI Product Output Mode	CVI; TVI; AHD; CVBS
-------------------------	---------------------

#### Certification

Certifications	CE: EN55032/EN55024/EN50130-4 FCC: Part15 subpartB, ANSI C63.4-2014 UL: UL60950-1+CAN/CSA C22.2, No.60950-1
----------------	---

#### Port

Analog Output	1 (CVBS/CVI output, BNC port)
RS485	1 (baud rate range: 1200 bps–9600 bps)
Audio Input	1
Alarm Input	2
Alarm Output	1

#### Power

Power Supply	DC 12V/5A ± 10%
Power Consumption	Basic: 9.6W Max: 12W (module zooming, PTZ operations)

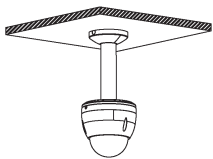
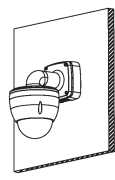
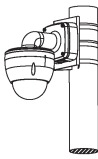
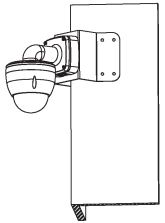
#### Environment

Operating Temperature	-30°C to +60°C (-22°F to +140°F)
Operating Humidity	≤ 95%RH
Protection	IP66; IK10; TVS 6000V lightning protection; surge protection

#### Structure

Dimensions	155 mm × Φ170 mm (6.10" × Φ6.69")
Net Weight	1.8 kg (3.97 lb)
Gross Weight	3.3 kg (7.28 lb)

Ordering Information		
Type	Model	Description
4M Camera	DH-SD42215-HC-LA	2MP 15x Starlight HDCVI PTZ Camera, WDR, PAL
	DH-SD42215N-HC-LA	2MP 15x Starlight HDCVI PTZ Camera, WDR, NTSC
	SD42215-HC-LA	2MP 15x Starlight HDCVI PTZ Camera, WDR, PAL
	SD42215N-HC-LA	2MP 15x Starlight HDCVI PTZ Camera, WDR, NTSC
Accessories	DC12V/5A	Power Adapter
	PFB302S	Wall Mount Bracket
	PFA102	Mount Adapter
	PFB300C	Ceiling Mount Bracket
	PFA150	Pole Mount Bracket
	PFA151	Corner Mount Bracket

Ceiling Mount	Wall Mount
PFA102+PFB300C	PFA102 + PFB302S
	
Pole Mount	Corner Mount
PFA102+PFB302S+PFA150	PFA102+PFB302S+PFA151
	

**Accessories**

**Included:**



DC12V/5A  
Power Adapter

**Optional:**



PFB302S  
Wall Mount Bracket



PFA102  
Mount Adapter



PFB300C  
Ceiling Mount Bracket



PFA150  
Pole Mount Bracket



PFA151  
Corner Mount Bracket

**Dimensions (mm[inch])**

