

DHI-SSD-S820

2.5" SATA Solid State Drive



S820 Series 2.5 inch SATA Solid State Drive

System Overview

As a new generation of 2.5" SSD product launched by Dahua, S820 series adopts high-quality 3D NAND wafer level chip and high-performance controller. It is specially designed for vehicle monitoring system and improve response speed of car DVR. The S820 improves performance in processing data, and effectively deals with various special conditions in vehicle monitoring such as data flow and full coverage.

Scene

Supports mobile data terminal for vehicles with 2.5" SATA ports

Technical Specification

Product Model	DHI-SSD-S820GS256G	DHI-SSD-S820GS512G	DHI-SSD-S820GS1TB	DHI-SSD-S820GS2TB
Capacity ¹	256GB	512GB	1TB	2TB
Form Factor	2.5 inch			
Port	SATA III 6Gb/s			
Net Weight	Max 40 g (0.09 lb)			
Product Dimensions	100.20 mm × 69.90 mm × 7.00 mm (3.94" × 2.75" × 0.28")			
Packaging Dimensions	140.50 mm × 105.50 mm × 15.50 mm (5.53" × 4.15" × 0.61")			
Memory Component	3D NAND			
Power Consumption	1500 mW (max) 500 mW (idle)	2200 mW (max) 480 mW (idle)	3400 mW (max) 480 mW (idle)	3400 mW (max) 530 mW (idle)
S.M.A.R.T	Support			
TRIM	Support			
Garbage Collection	Support			

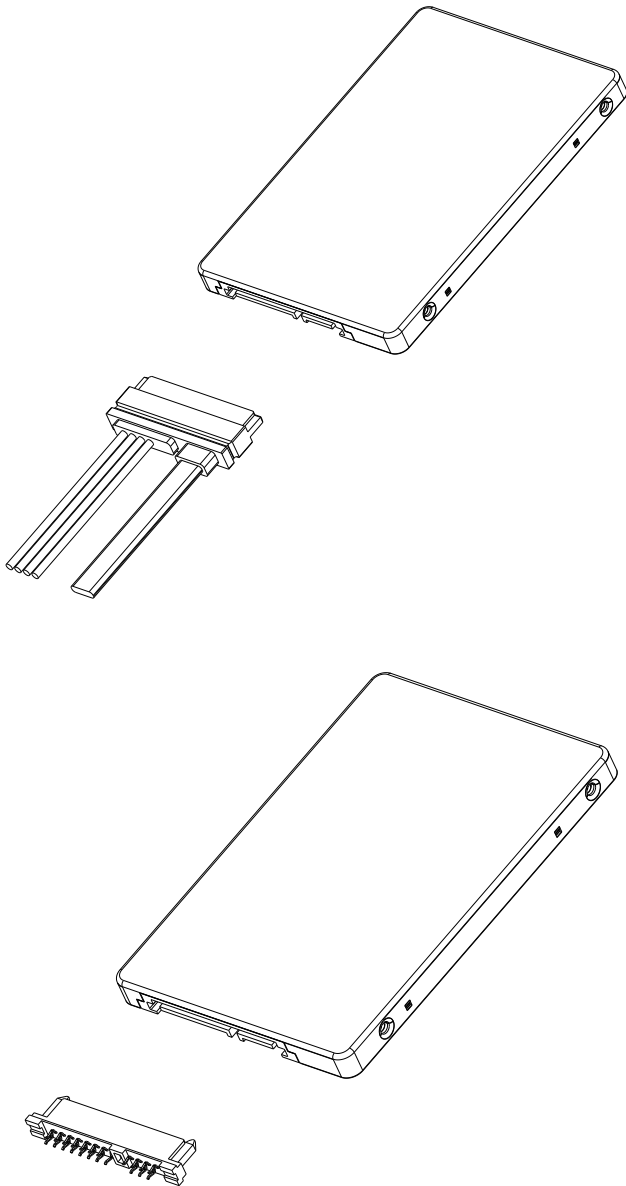
- Adopts high-quality 3D NAND wafer level chip.
- Supports SATA III protocol with transmission speed up to 550 MB/s.
- Provides better read and write performance with TRIM and NCQ.
- Low power consumption management.
- Stable read and write performance of the SSD card allows the car DVR to make and save video recordings without losing frames.

Sequential Read ²	Up to 558 MB/s	Up to 550 MB/s	Up to 500 MB/s	Up to 480 MB/s
Sequential Write ²	Up to 409 MB/s	Up to 440 MB/s	Up to 450 MB/s	Up to 440 MB/s
4K Random Read ²	Up to 76,442	Up to 79,150	Up to 75,570	Up to 66,530
4K Random Write ²	Up to 59,776	Up to 62,280	Up to 62,590	Up to 65,120
MTBF	1,500,000 hours			
Operating Temperature	0°C to +70°C (+32°F to +158°F)			
Storage Temperature	-40°C to +85°C (-40°F to +185°F)			
Operating Humidity	5%–95% (non-condensing)			
Vibration Resistance	10–1000 Hz, 2.78G			
Shock Resistance	1500G/0.5 ms (half sine wave)			
TBW	500TB	1000TB	2000TB	4000TB
Warranty ³	3-year limited warranty			
Reference Information	<ol style="list-style-type: none"> 1. Capacity calculation: 1GB = 1 billion bytes (IDEMA). Actual available capacity might be reduced (due to formatting, partition, operating system applications, or other necessary usage). 2. The speed data comes from Zhejiang Huayixin Technology Co., Ltd Lab. System configuration of performance test: Intel Z390 Chipset, Intel Core i9-9900KF@3.6GHz, 16GB DDR4; operating system-Windows 10 x64; testing tool-CrystalDiskMark 6.0.0. 3. Warranty period or maximum write amount (TBW), whichever comes first. 4. High performance SLC cache has been enabled. 			

Ordering Information

Type	Model	Description
DHI-SSD-S820 Series	DHI-SSD-S820GS256G	Dahua 2.5'SATA Solid State Drive DHI-SSD-S820GS256G
	DHI-SSD-S820GS512G	Dahua 2.5'SATA Solid State Drive DHI-SSD-S820GS512G
	DHI-SSD-S820GS1TB	Dahua 2.5'SATA Solid State Drive DHI-SSD-S820GS1TB
	DHI-SSD-S820GS2TB	Dahua 2.5'SATA Solid State Drive DHI-SSD-S820GS2TB

Installation



Dimensions (mm[inch])

