

DH-VCS-SH30

IP Speaker DH-VCS-SH30



Series Overview

Designed with aviation aluminum, VCS-SH30 is a strong network speaker that features voice talk, broadcasting audios and storing audio files. It supports SIP and ONVIF protocols, and can be managed on its webpage or in batches on the platform. It is suitable for a variety of security monitoring locations.

Scene

Ideal for playing audio messages in parking lots, the perimeter of compounds, schools and other locations.

Technical Specification

Microphone

| | |
|--------------------|--------------------------------|
| Type | Built-in one microphone switch |
| Pickup Distance | ≥3 m |
| Frequency Response | 50 Hz-12 KHz |
| MIC Input | 15 mV |

Speaker

| | |
|--------------------------|-----------------|
| Max Sound Pressure Level | 108 dB |
| SNR | ≥75 dB |
| Frequency Response | 250 Hz-16 KHz |
| Coverage Pattern | H: 70°; V: 100° |
| Speaker Output | 15 W |

Amplifier

| | |
|-----------------------|--------------------------------|
| Amplifier Description | Built-in 15 W and 8Ω amplifier |
|-----------------------|--------------------------------|

Interface

| | |
|-------------------|---|
| TF Card Interface | Supports TF card storage |
| MIC Input | Pickup distance ≥ 3 m (9.84 ft), built-in 1 microphone switch |

- With its cone-shaped corners, it is easy to control the direction of audio broadcasts. It also supports wall mount and pole mount installation.
- Built of anti-corrosion aviation aluminum, it is suitable for use outdoors in most weather conditions.
- With its integrated design, it has a built-in network audio decoding chip, high fidelity digital operational amplifier and horn speaker.
- POE+.
- Supports device registration and intercom based on the ONVIF protocol.
- Supports the standard SIP protocol and SIP-based intercom.
- It has a 512 MB storage capacity, and supports uploading custom audios and using TF cards for expansion (the back cover must be open).
- Supports remote management over the network, facilitating operation and maintenance.
- Built-in one-click reset button.

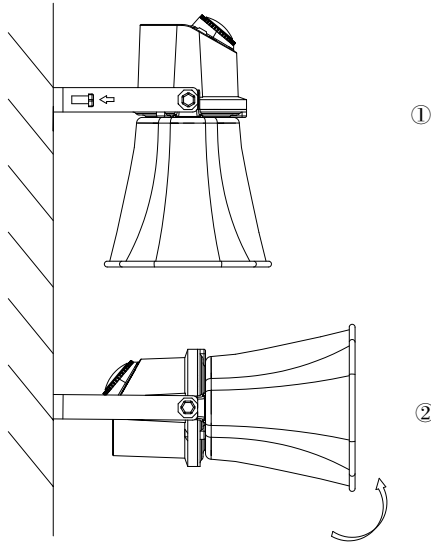
Network

| | |
|------------------|---|
| Network Port | 1 × RJ-45 port |
| Network Protocol | TCP, UDP, ARP, ICMP, IGMP, DHCP, IGMP, HTTP, SIP, ONVIF |

General

| | |
|-----------------------|---|
| Audio Protocol | MP3, G.711a/u |
| Storage | 512 MB and TF card |
| Power Input | PoE+ (IEEE 802.3at), 24 VDC, 1 A (Standby) |
| Power Consumption | 15 W |
| Operating Temperature | -40 °C to +60 °C (-40 °F to +140°F) |
| Operating Humidity | 60%–95% (RH), non-condensing |
| Protection Level | IP66 |
| Certifications | CE EMC, CE LVD |
| Product Dimensions | 225 mm × 170 mm × 250 mm (8.86" × 6.69" × 9.84") (L × W × H) |
| Packaging Dimensions | 240 mm × 200 mm × 275 mm (9.45" × 7.87" × 10.83") (L × W × H) |
| Net Weight | 1.8 kg (3.97 lb) |
| Gross Weight | 2.5 kg (5.51 lb) |

Installation



Dimensions (mm[inch])

